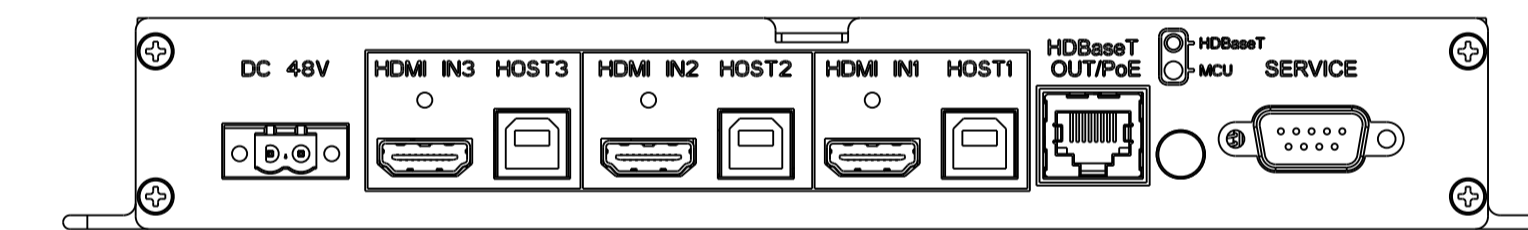
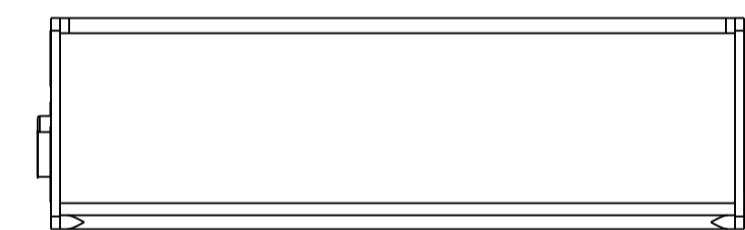
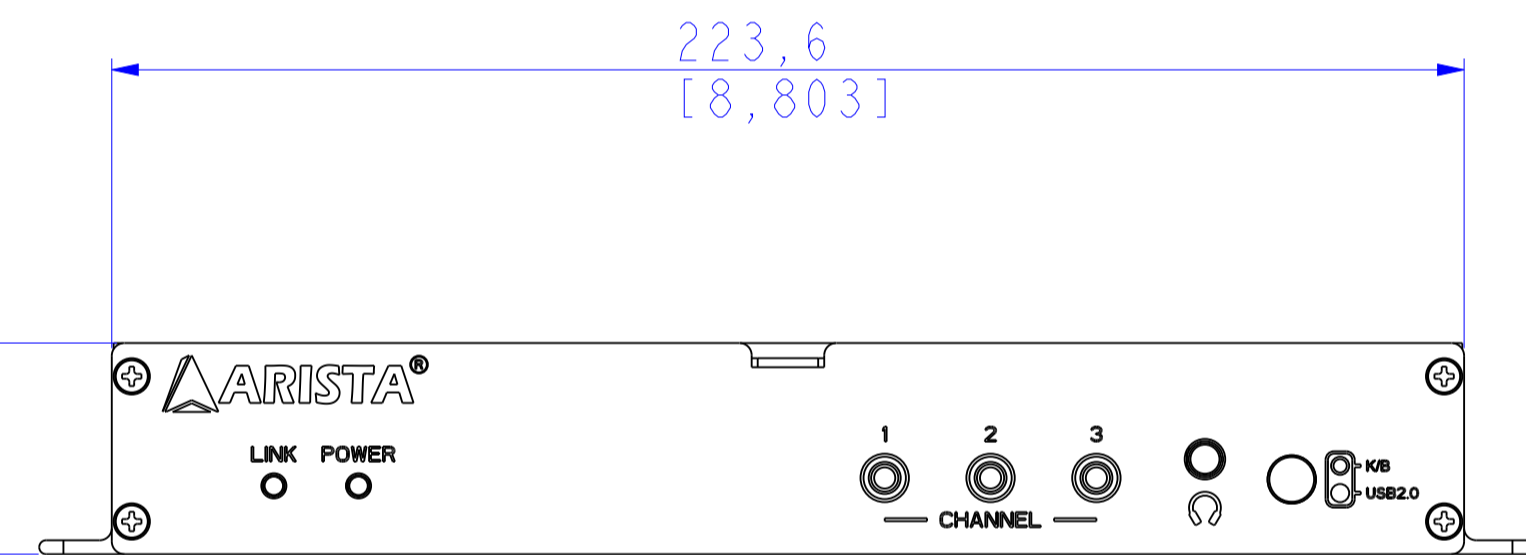
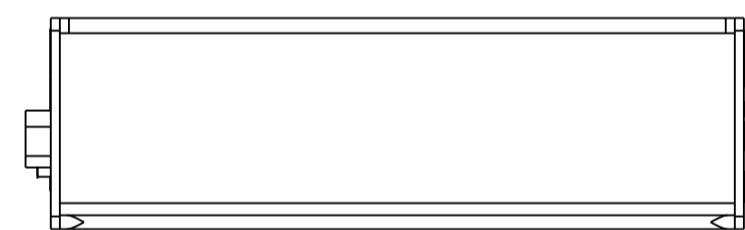
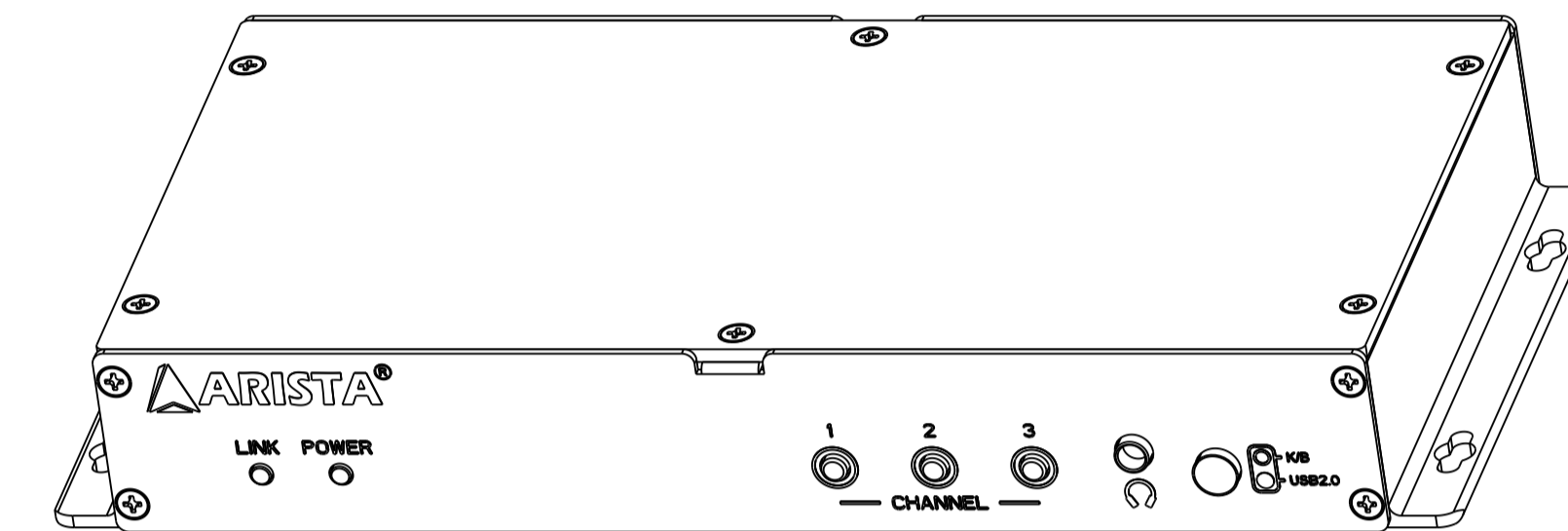
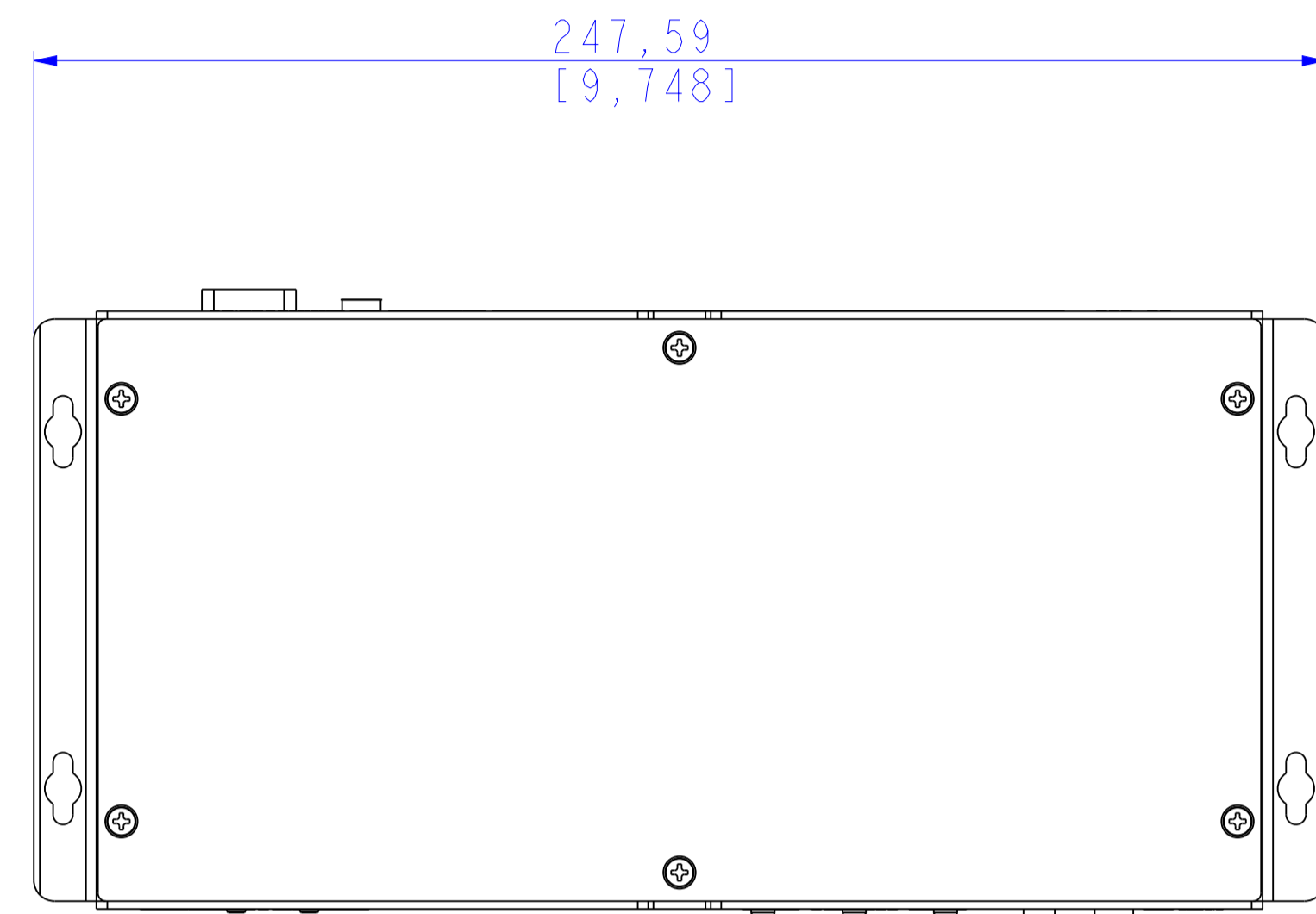
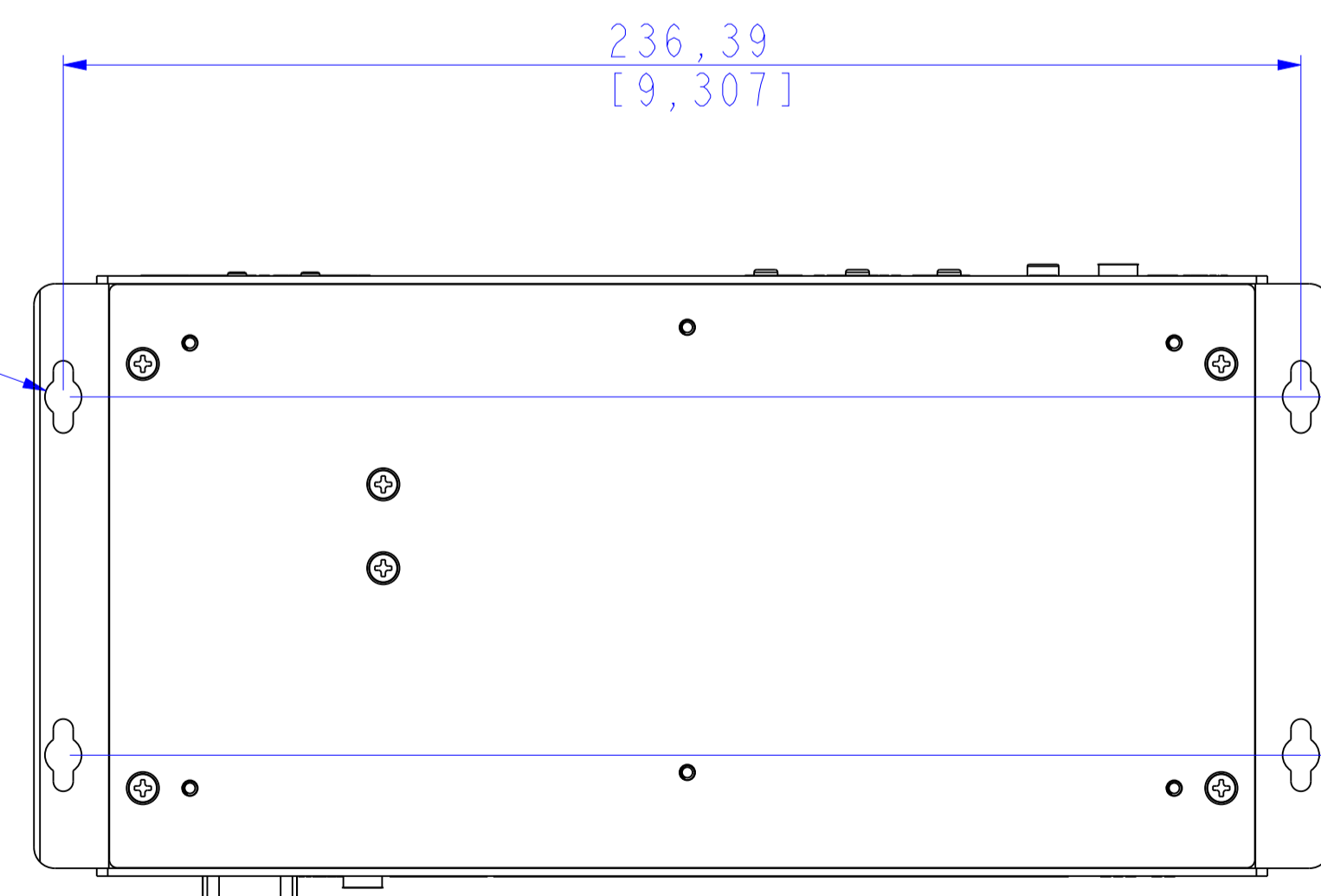


ITEM NO:

PART LIST		
ITEM	QTY	DESCRIPTION



34,9  
[1,374]



ARS-0301-A00-TX

ALL DIMENSIONS IN MILLIMETRES  
THIRD ANGLE PROJECTION

ZONE	REV	DESCRIPTION	DATE	APPROVED

TOLERANCES			
	A	B	C
0-30mm	±0.1	±0.25	±0.6
30-120mm	±0.15	±0.46	±1.1
120-315mm	±0.2	±0.6	±1.6
>315mm	±0.3	±1.1	±2.5

The information disclosed on this document is the exclusive property of ARISTA CORPORATION. Reproduction, disclosure, or use of this document or information without the written permission of ARISTA CORPORATION is prohibited.

**ARISTA** ARISTA CORPORATION  
41300 Bayle Rd., Fremont, CA 94538

TITLE: ARS-0301-A00-TX-SIZE

DATE	
DESIGN	
CHECKED	
DRAWN	

SIZE	A1	FSCM NO.		DWG NO.		REV	
SCALE		INV. NO.		SHEET		OF	